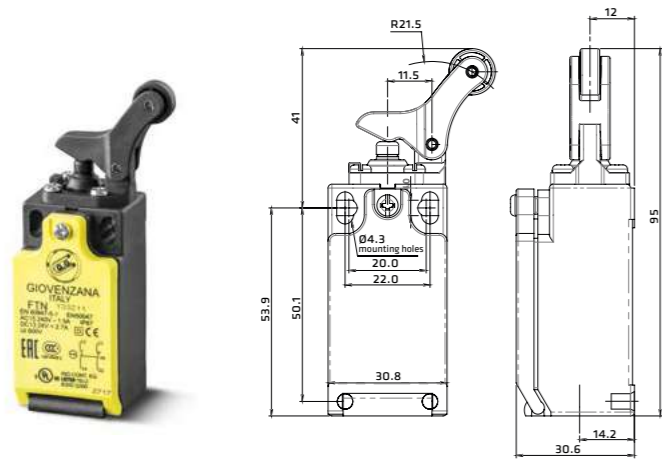


FTN133: PA Roller lever plunger with protective boot vertical action

FTN	1	33	X11	M
Series	Function	Head and actuators	Contact Types	Thread dimension of lead exit
	1 - Without Reset Function	33 - PA Roller lever plunger with protective boot vertical action	X11 - 1NC/1NO Slow Action W02 - 2NC Slow Action Z11 - 1NC/1NO Snap Action W12 - 2NC/1NO Slow Action W03 - 3NC Slow Action Slow Action & Snap Action: Type "Zb"	Standard: BLANK - M16 On request: M - M20 N - 1/2NPT G1 - PG11 G3 - PG13.5 C - Connector

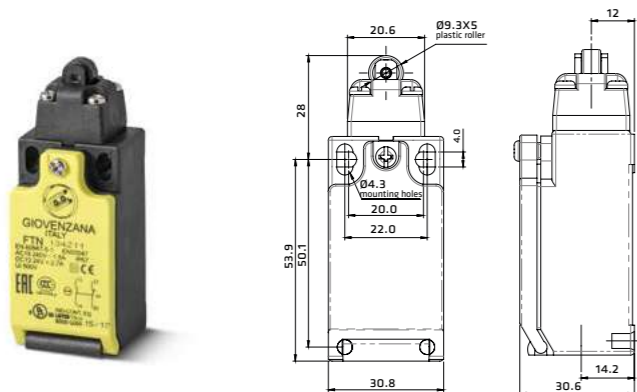


OPERATION DIAGRAMS

⊕	X11 1NC/1NO Slow Action	21-22	0	4.0	9.8
		13-14			5.1
⊕	W02 2NC Slow Action	21-22	0	4.0	9.8
		11-12			
⊕	Z11 1NC/1NO Snap Action	→ 21-22	0	3.6	9.8
		→ 13-14			
		← 21-22			2.5
		← 13-14			
⊕	W12 2NC/1NO Slow Action	31-32	0	4.0	9.8
		21-22			4.7
		13-14			
⊕	W03 3NC Slow Action	31-32	0	4.0	9.8
		21-22			
		11-12			

FTN134: PA Roller lever plunger

FTN	1	34	X11	M
Series	Function	Head and actuators	Contact Types	Thread dimension of lead exit
	1 - Without Reset Function	34 - PA Roller lever plunger	X11 - 1NC/1NO Slow Action W02 - 2NC Slow Action Z11 - 1NC/1NO Snap Action W12 - 2NC/1NO Slow Action W03 - 3NC Slow Action Slow Action & Snap Action: Type "Zb"	Standard: BLANK - M16 On request: M - M20 N - 1/2NPT G1 - PG11 G3 - PG13.5 C - Connector

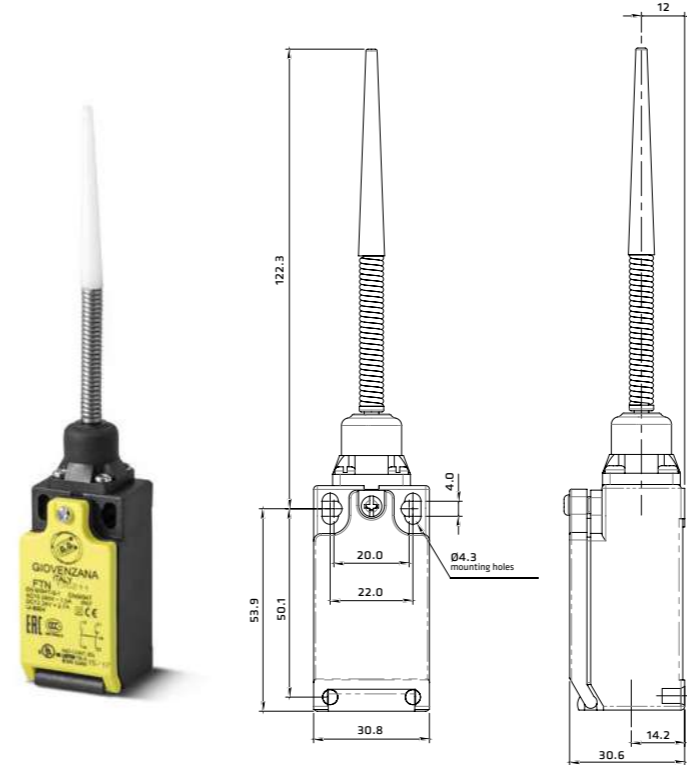


OPERATION DIAGRAMS

⊕	X11 1NC/1NO Slow Action	21-22	0	2.2	6.0
		13-14			2.7
⊕	W02 2NC Slow Action	21-22	0	2.2	6.0
		11-12			
⊕	Z11 1NC/1NO Snap Action	→ 21-22	0	1.9	6.0
		→ 13-14			
		← 21-22			1.0
		← 13-14			
⊕	W12 2NC/1NO Slow Action	31-32	0	2.2	6.0
		21-22			3.0
		13-14			
⊕	W03 3NC Slow Action	31-32	0	2.2	6.0
		21-22			
		11-12			

FTN135: Spring lever with tip in PA

FTN	1	35	X11	M
Series	Function	Head and actuators	Contact Types	Thread dimension of lead exit
	1 - Without Reset Function	35 - Spring lever with tip in PA	X11 - 1NC/1NO Slow Action W02 - 2NC Slow Action Z11 - 1NC/1NO Snap Action W12 - 2NC/1NO Slow Action W03 - 3NC Slow Action Slow Action & Snap Action: Type "Zb"	Standard: BLANK - M16 On request: M - M20 N - 1/2NPT G1 - PG11 G3 - PG13.5 C - Connector

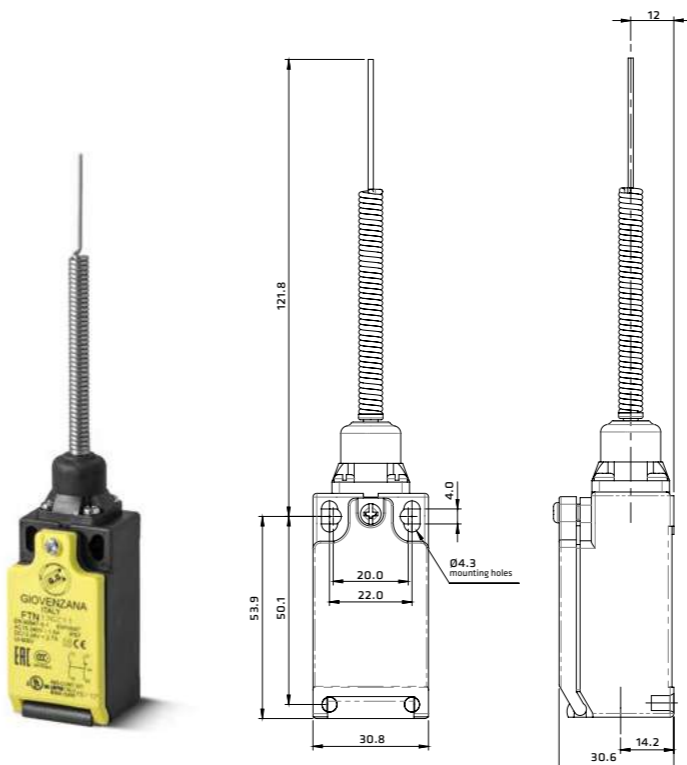


OPERATION DIAGRAMS

⊕	X11 1NC/1NO Slow Action	21-22	12°	0	12°
		13-14			20°
⊕	W02 2NC Slow Action	11-12	12°	0	12°
		21-22			
⊕	Z11 1NC/1NO Snap Action	→ 21-22	12°	0	12°
		→ 13-14			
		← 21-22			5°
		← 13-14			5°
⊕	W12 2NC/1NO Slow Action	13-14	12°	0	12°
		21-22			20°
		31-32			20°
⊕	W03 3NC Slow Action	11-12	12°	0	12°
		21-22			
		31-32			

FTN136: CAT'S Whisker

FTN	1	36	X11	M
Series	Function	Head and actuators	Contact Types	Thread dimension of lead exit
	1 - Without Reset Function	36 - CAT'S Whisker	X11 - 1NC/1NO Slow Action W02 - 2NC Slow Action Z11 - 1NC/1NO Snap Action W12 - 2NC/1NO Slow Action W03 - 3NC Slow Action Slow Action & Snap Action: Type "Zb"	Standard: BLANK - M16 On request: M - M20 N - 1/2NPT G1 - PG11 G3 - PG13.5 C - Connector



OPERATION DIAGRAMS

⊕	X11 1NC/1NO Slow Action	21-22	12°	0	12°
		13-14			20°
⊕	W02 2NC Slow Action	21-22	12°	0	12°
		11-12			
⊕	Z11 1NC/1NO Snap Action	→ 21-22	12°	0	12°
		→ 13-14			
		← 21-22			5°
		← 13-14			5°
⊕	W12 2NC/1NO Slow Action	31-32	12°	0	12°
		21-22			20°
		13-14			20°
⊕	W03 3NC Slow Action	31-32	12°	0	12°
		21-22			
		11-12			